

# CDS Meeting

Antonio Citterio, 2017

**vitra.**

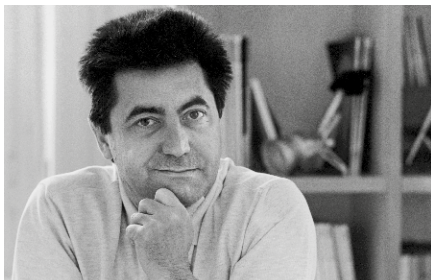


## CDS Meeting

---

The CDS table system also includes conference tables in sitting height versions as well as height-adjustable models. Their design is identical to the workstations, offering compatible furnishings for both workspaces and meeting areas.

Thanks to the simple manual or motor-operated height-adjustment mechanism, spontaneous meetings can be held either sitting or standing, with stand-up meetings being particularly suited to shorter discussions. Standing up helps promote concentration and good posture and prevents participants from 'slouching back' in their seats.



### Antonio Citterio

The architect and designer Antonio Citterio, who lives and works in Milan, has collaborated with Vitra since 1988. Together they have produced a series of office chairs and various office systems, as well as products for the Vitra Home Collection. The Citterio Collection is constantly being expanded.

## Height adjustment

The CDS office system caters to individual needs: desks and meeting tables in various sizes can be outfitted to accommodate the ergonomic requirements of each workstation. Users can choose from the following options:



Tables with a fixed height of 74 cm



Sit-stand table with incremental for different sitting heights from 70 to 118 cm



Sit-stand tables with electric height adjustment from 70 to 118 cm

Type of column	Adjustable range (in mm)
Fixed (sit)	740 mm
Incremental (sit-stand)	700-1180 mm
Electro (sit-stand)	700-1180 mm

## Electrification

### Flap

The cabling options for the CDS tables are as flexible as the furniture system itself. Specific solutions are available for various table surfaces and the desired number of power and data outlets.

For further information regarding electrification or customer-specific solutions, please contact your Vitra sales representative.

Please observe local electrical regulations!

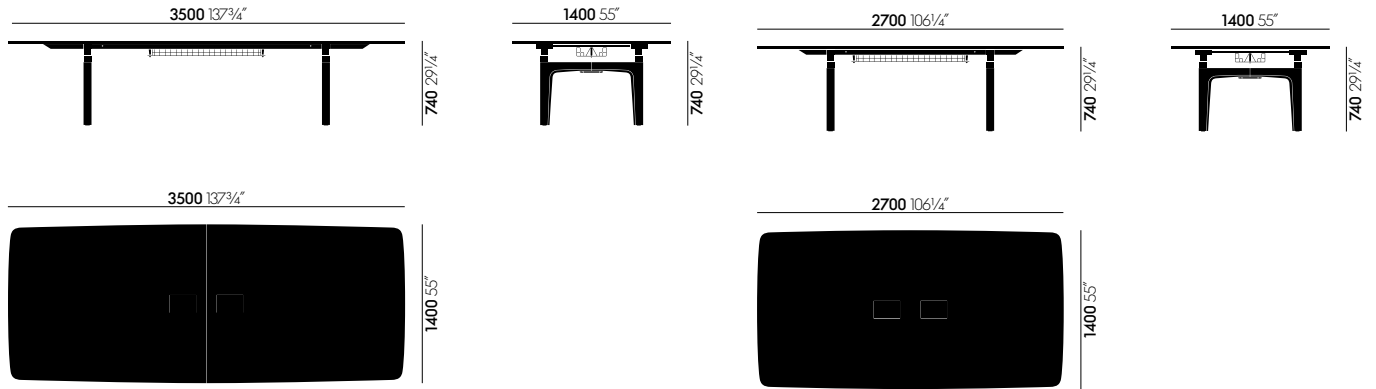


Electrification flap for table tops in melamine soft light



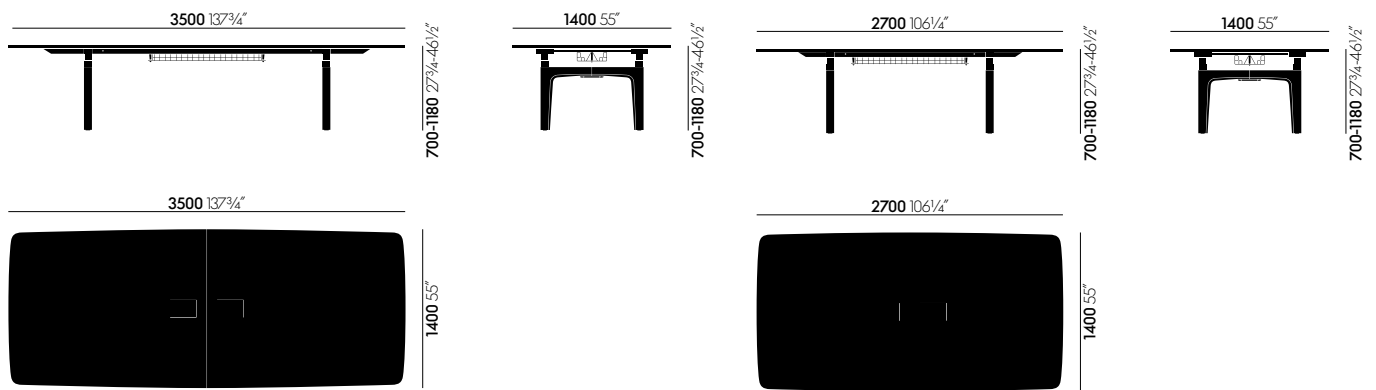
Electrification flap for table tops in melamine grey

Dimensions



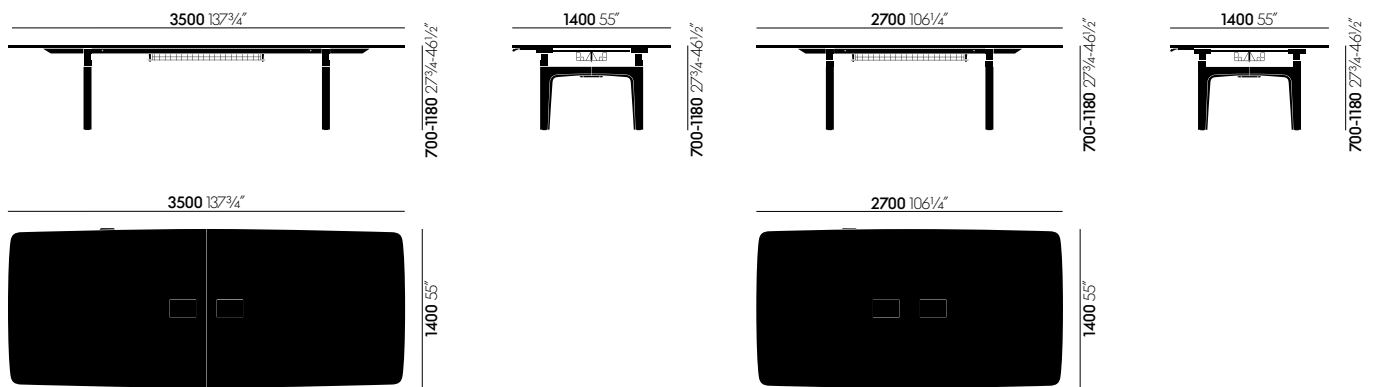
CDS meeting table, boat-shaped, 350x140

CDS meeting table, boat-shaped 270 x 140



CDS meeting table with incremental height adjustment, 350 x 140

CDS meeting table with incremental height adjustment, 270x140



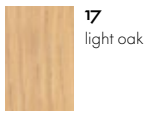
CDS height-adjustable meeting table, motor-operated, 270 x 140

CDS height-adjustable meeting table, motor-operated, 270 x 140

**Surfaces and colours**



**52**  
soft light



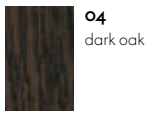
**17**  
light oak



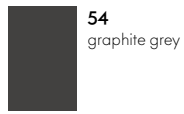
**52**  
soft light  
powder-coated  
(smooth)



**08**  
grey



**04**  
dark oak



**54**  
graphite grey

**Table tops**

**Under-table unit**

